



### SVENSKA

Anslut alltid belysning till jordfelsbrytare.  
Elanslutning skall utföras av elektriker.

### NORSK

Koble alltid belysningen til jordingsbryter.  
Elektriske tilkoblinger skal utfores av elektriker.

### ENGLISH

Always connect the light to a residual current device.  
Electrical installation work must be carried out by an electrician.

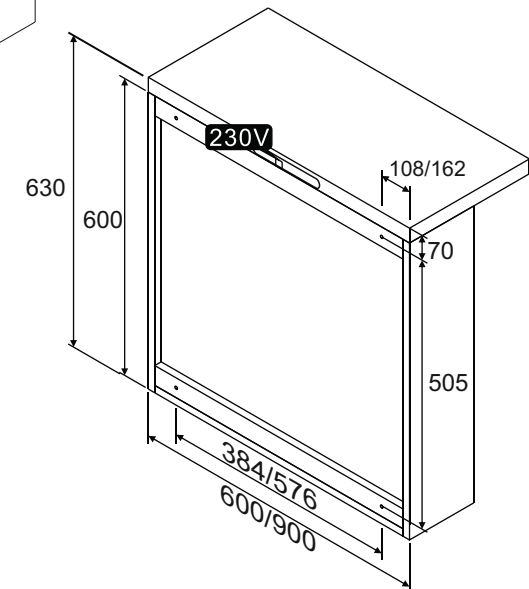
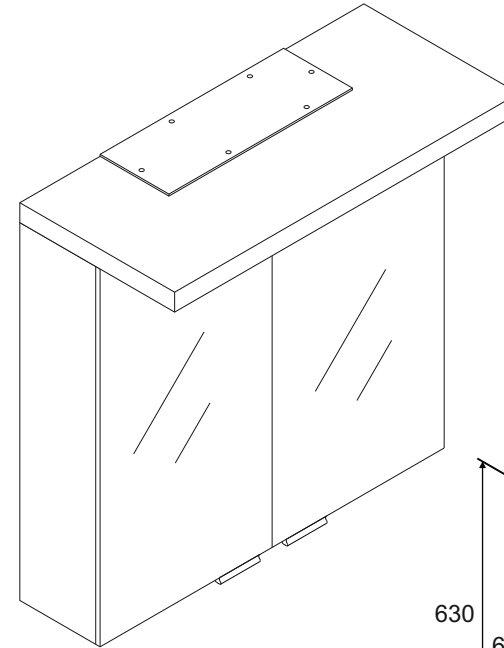
### DEUTSCH

Schliesse immer die Beleuchtung zum Erdschutzschalter an.  
Elektrische Anschlüsse sind von einem Elektriker auszuführen.

© Copyright Cabinex AB. All rights Reserved

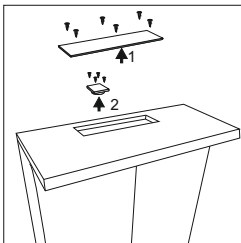
# MONTERINGSANVISNING ASSEMBLY INSTRUCTION

600LX / 900LX

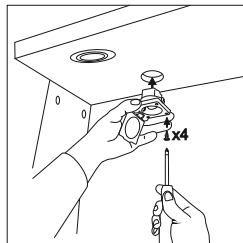


## Tillval / Optional

TB32



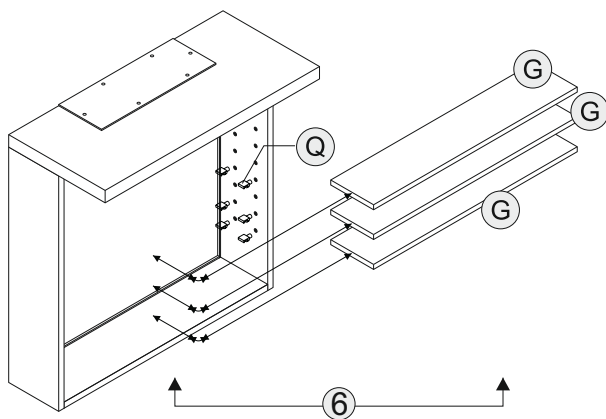
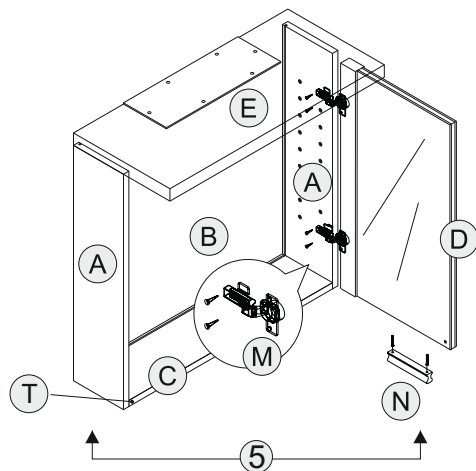
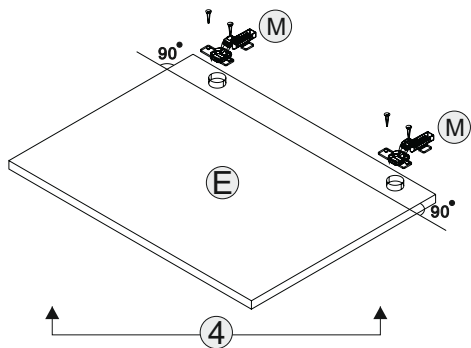
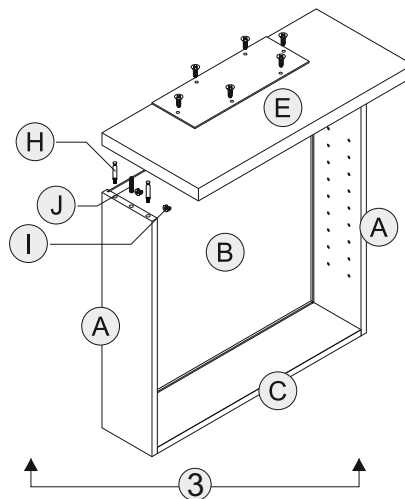
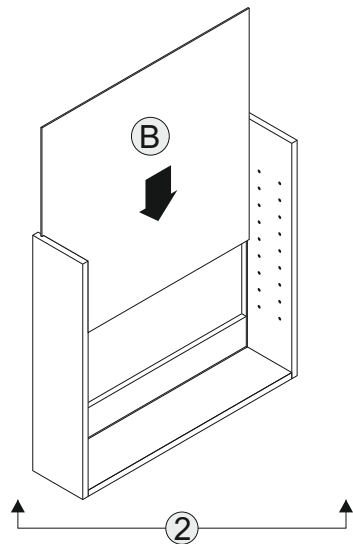
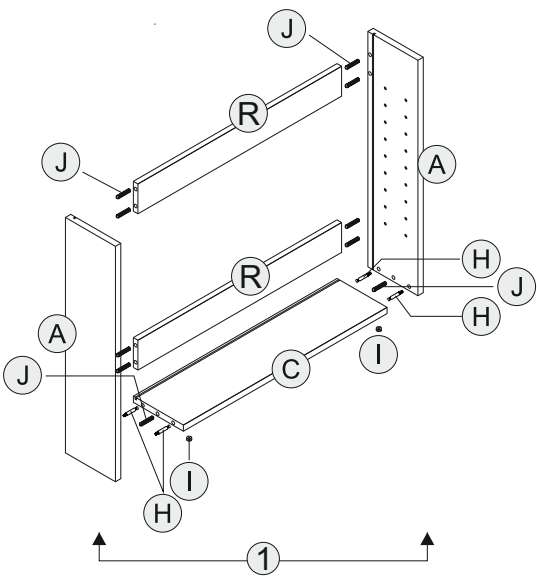
Kräver jordfelsbrytare  
Installation endast av elektriker



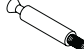










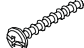


Require Residual Current Device  
May be installed by an electrician

**CABINEX**<sup>TM</sup>  
www.cabinex.se

**CABINEX**<sup>TM</sup>



Copyright Cabinex AB. All rights Reserved

A	Side board	2 pcs
B	Back board	1 pc
C	Bottom board	1 pc
D	Glass door	2 pcs
E	Lamp box	1 pc
G	Glass shelf	3 pcs
R	Back frame	2 pcs
H		8 pcs
I	 +  Plastic Cover	8 pcs
J	 8*40mm	12 pcs
M	   Glass hinge	2 sets
N	   3*20mm	2 sets
Q		12 pcs
S	 5*70mm	4pcs
T	 Cushion	2pcs
V	 Cover set	4pcs